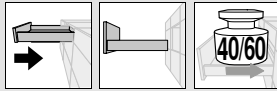


# Runner systems



- ▶ **MOVENTO**
- ▶▶ **Locking device feature – full extension**



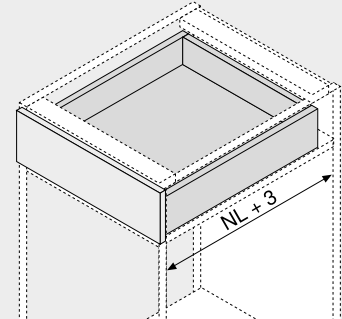
## MOVENTO with BLUMOTION – 760H | 766H

Webcode  
DQCZ3Y



- Concealed full extension
- Includes integrated, switchable **BLUMOTION S** for silent and effortless closing, and can be combined with **TIP-ON BLUMOTION** or **SERVO-DRIVE**
- Synchronised feather-light glide
- BLUMATIC self closing feature
- Tool-free side, height, and tilt adjustment
- Optional tool-free depth adjustment
- Built-in width and depth tolerance compensation

### Space requirement



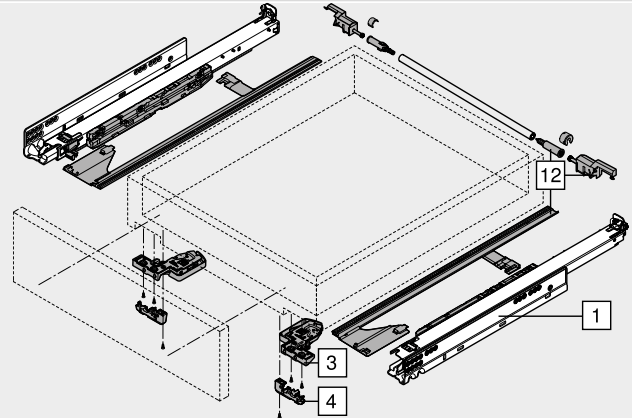
NL Nominal length

### Order information

1	Runners left/right	
	<b>BLUMOTION S</b>	
Nominal length	Dynamic carrying capacity (kg)	
NL (mm)	40	60
250	760H2500S	
270	760H2700S	
300	760H3000S	
320	760H3200S	
350	760H3500S	
380	760H3800S	
400	760H4000S	
420	760H4200S	
450	760H4500S	766H4500S
480	760H4800S	
500	760H5000S	766H5000S
520	760H5200S	766H5200S
550	760H5500S	766H5500S
580		766H5800S
600	760H6000S	766H6000S
650		766H6500S
700		766H7000S
750		766H7500S

3	Locking device left/right		
	Material	Colour	Part no.
Order left/right	Nylon/steel	Orange	T51.7601

### Drawer



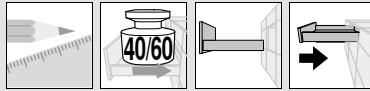
### a Accessories

4	Depth adjustment left/right		
	Material	Colour	Part no.
	Nylon	RAL 7037 dust grey	298.7600

Only for inset applications  
SERVO-DRIVE integrated bumper  
Suitable for T51.7601 locking device

12	Side stabilisation set		
	Nominal length NL (mm)	Material	Part no.
	Up to 400	Nylon	ZS7M400MU
	Up to 600	Nylon	ZS7M600MU
	Up to 750	Nylon	ZS7M750MU

Suitable for cabinet width KB 1400 mm  
For cutting to size

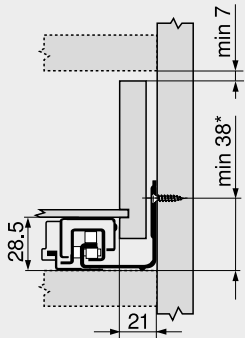


MOVENTO with BLUMOTION – 760H | 766H

Webcode  
 DQCZ3Y

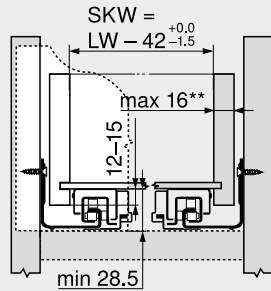
Planning

Space requirement in cabinet



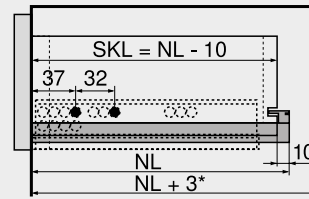
\* +1 mm for assembly of the cabinet profile on the horizontal cabinet side

Drawer | inner drawer



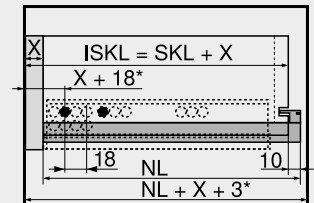
SKW Internal drawer width  
 LW Internal cabinet width  
 \*\* Limited side adjustment for a drawer side panel thickness of 16 mm, but with full tolerance utilisation of the internal width of the drawer SKW

Drawer



SKL Drawer length  
 NL Nominal length  
 \* Additional +12 mm with side stabilisation

Inner drawer



ISKL Inner drawer length  
 SKL Drawer length  
 NL Nominal length  
 X Front thickness  
 \* Additional +3 mm with depth adjustment

Screw position – cabinet profiles

Cabinet profile 760H – 40 kg

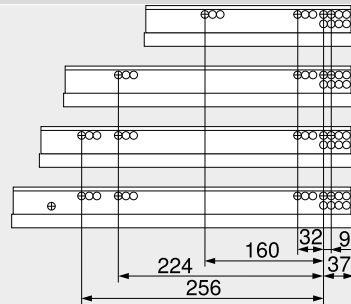
Nominal length NL (mm)

250, 270

300–350

380–520

550, 600



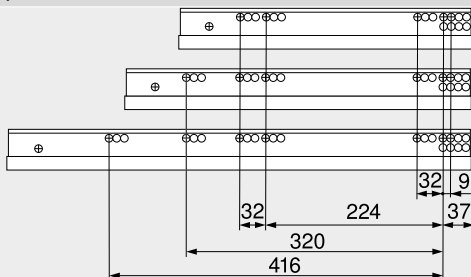
Cabinet profile 766H – 60 kg

Nominal length NL (mm)

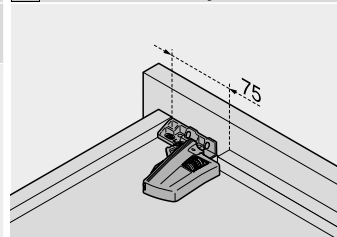
450

500–600

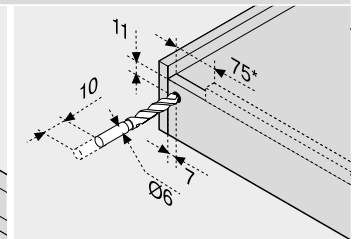
650–750



Drawer assembly



Use drilling template T65.1000.02



\* TIP-ON BLUMOTION 125 mm

Page instructions

Overview – MOVENTO	437	Cabinet profile fixing positions	449
Overview – TIP-ON BLUMOTION for MOVENTO	453	Overview – assembly devices	595
Overview – TIP-ON for MOVENTO	459	More technical details	686
Overview – SERVO-DRIVE for MOVENTO   TANDEM	491		
CABLOXX	586		
Accessories	444		

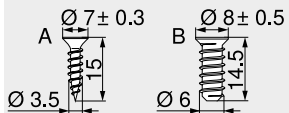
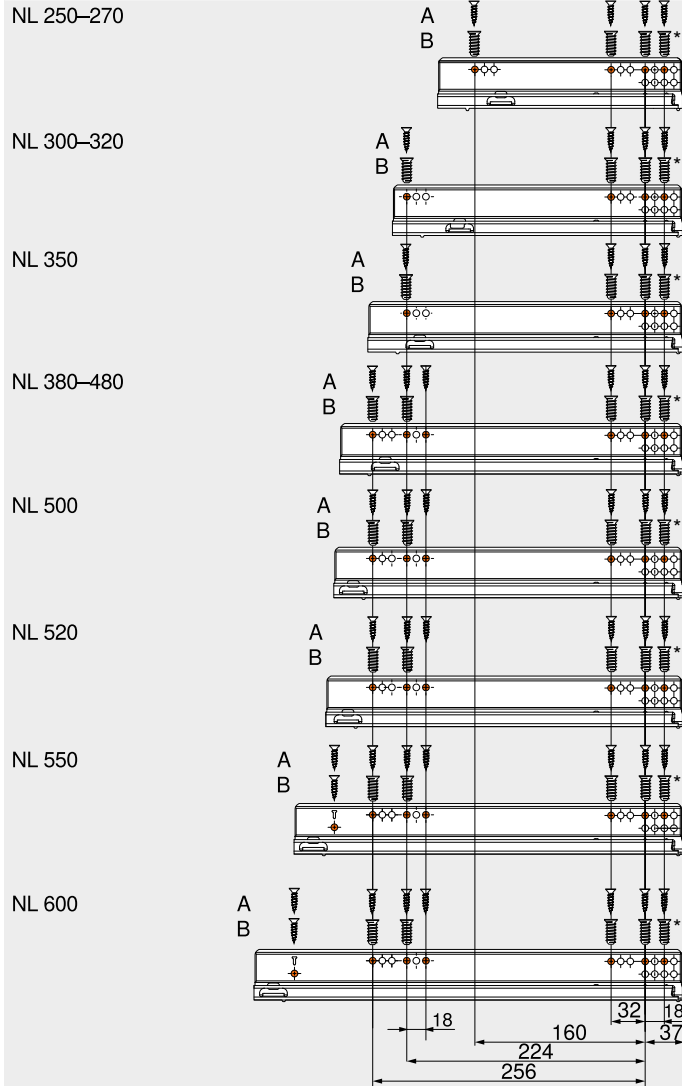
Assembly, removal and adjustment

Short-URL  
[www.blum.com/a410](http://www.blum.com/a410)



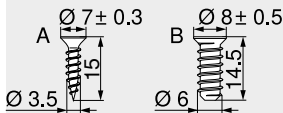
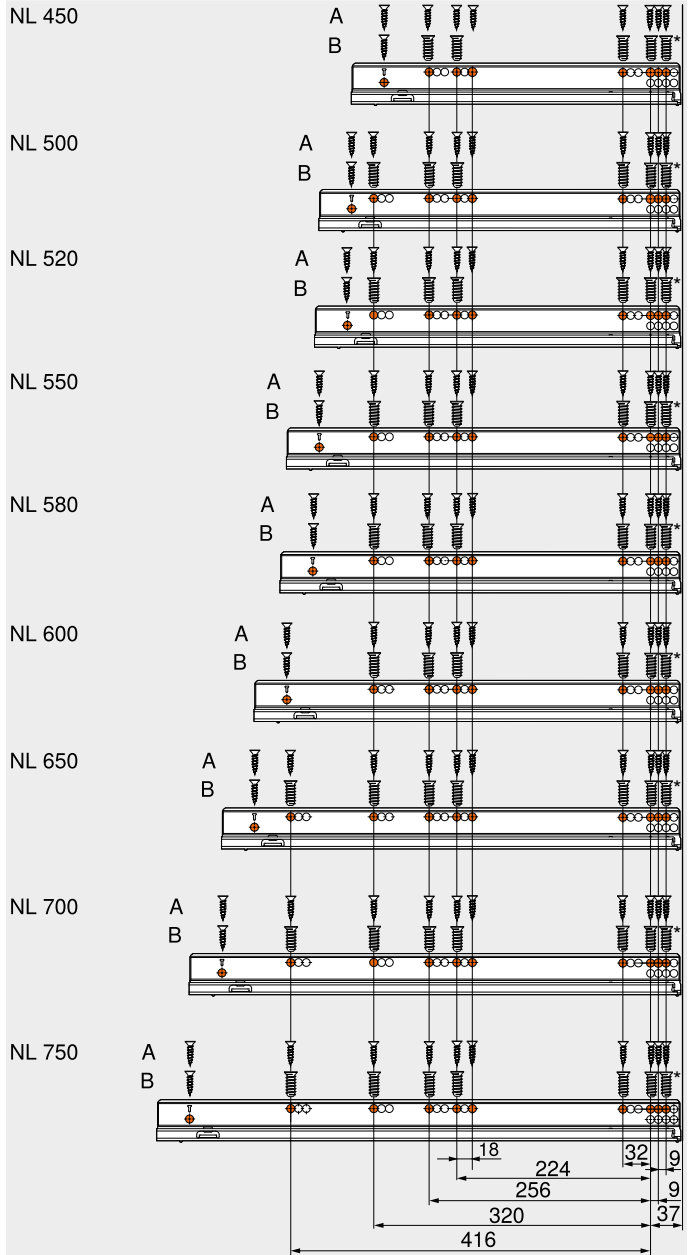


**Cabinet profile 760H – 40 kg**



NL Nominal length  
A Chipboard screws  $\text{Ø } 3.5 \times 15$  mm, part no. 609.1500  
B Chipboard screws, part no. 661.1450.HG  
\* Can be replaced with chipboard screw  $\text{Ø } 4 \times 15$  mm  
Extreme back fixing position ensures optimal stability

**Cabinet profile 766H – 60 kg**

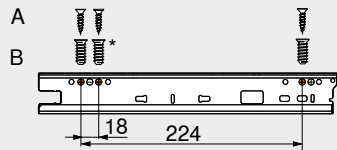


NL Nominal length  
A Chipboard screws  $\text{Ø } 3.5 \times 15$  mm, part no. 609.1500  
B Chipboard screws, part no. 661.1450.HG  
\* Can be replaced with chipboard screw  $\text{Ø } 4 \times 15$  mm  
Extreme back fixing position ensures optimal stability

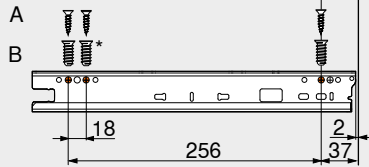


Cabinet profile 760H – 40 kg – cabinet underside fixing

NL 350–450

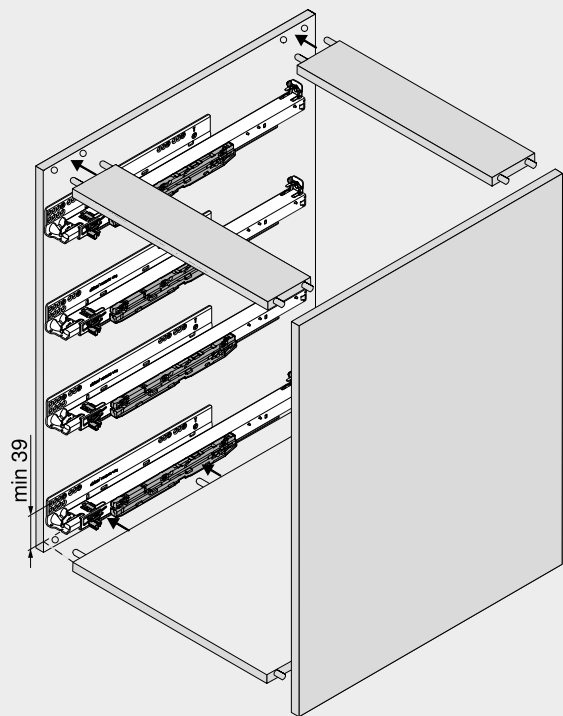
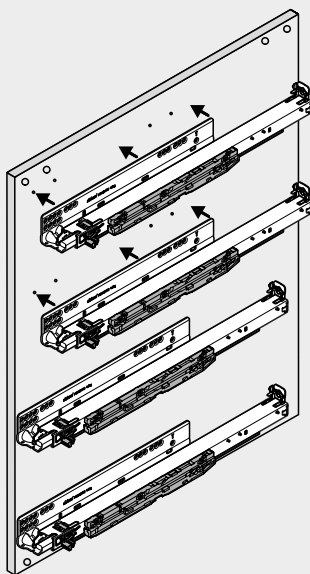


NL 500



- NL Nominal length
- A Chipboard screws  $\varnothing 4 \times 15$  mm
- B Chipboard screws, part no. 661.1450.HG
- \* Can be replaced with chipboard screw  $\varnothing 4 \times 15$  mm

Cabinet assembly

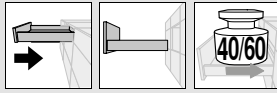


If you install runners before cabinet assembly, the fixing position must be increased by at least 1 mm from 38 to at least 39 mm due to tolerances in the runner and cabinet!

# Runner systems



- ▶ TIP-ON BLUMOTION for MOVENTO
- ▶▶ Locking device feature – full extension



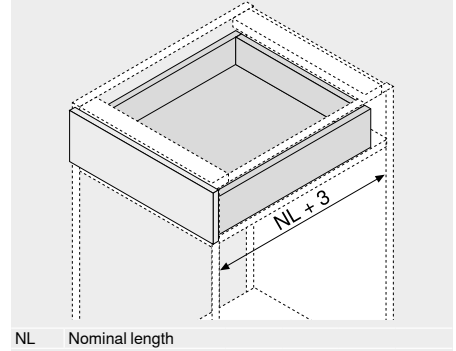
## MOVENTO with TIP-ON BLUMOTION – 760H | 766H

Webcode  
DQD0IM



- Concealed full extension
- Includes integrated, switchable **BLUMOTION S** for silent and effortless closing, and can be combined with **TIP-ON BLUMOTION** or **SERVO-DRIVE**
- Synchronised feather-light glide
- Tool-free side, height, and tilt adjustment
- Integrated tool-free depth adjustment
- Built-in width and depth tolerance compensation
- Compatible with the side stabilisation for MOVENTO
- Synchronisation for internal cabinet widths LW of 265 mm and wider

### Space requirement

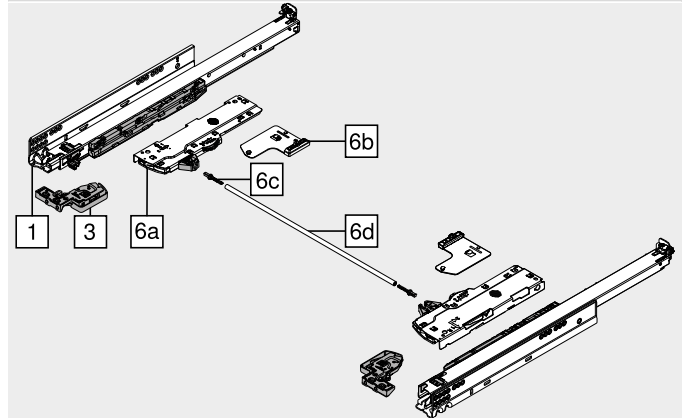


Runner systems

### Order information

1	Runners left/right	
	<b>BLUMOTION S</b>	
Nominal length	Dynamic carrying capacity (kg)	
NL (mm)	40	60
270	760H2700S	
300	760H3000S	
320	760H3200S	
350	760H3500S	
380	760H3800S	
400	760H4000S	
420	760H4200S	
450	760H4500S	766H4500S
480	760H4800S	
500	760H5000S	766H5000S
520	760H5200S	766H5200S
550	760H5500S	766H5500S
580		766H5800S
600	760H6000S	766H6000S
650		766H6500S
700		766H7000S
750		766H7500S

### Drawer



### Internal cabinet width LW 265–313 mm

6e	TIP-ON BLUMOTION synchronisation		
	Version	Colour	Part no.
	Square	RAL 7035 light grey	<b>T60.300D</b>
For cutting to size			
<input checked="" type="checkbox"/> Cutting	Internal cabinet width LW – 241 mm		

### a Accessories

#### Internal cabinet width LW ≥ 314 mm

6c	TIP-ON BLUMOTION synchronisation adapter		
	Version	Colour	Part no.
	Symmetrical	RAL 7035 light grey	<b>T60.000D</b>
Order 2x			

#### – Front gap template for TIP-ON BLUMOTION

	Front gap FS (mm)	Colour	Part no.
	2.5	Orange	<b>65.5631</b>

3	Locking device left/right		
	Material	Colour	Part no.
	Nylon/steel	Orange	<b>T51.7601</b>
Order left/right			

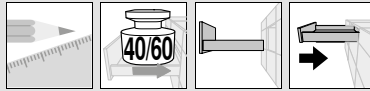
6	TIP-ON BLUMOTION set				
	Nominal length	Unit	Cabinet profile (kg)	Weight (kg)	Part no.
	NL (mm)				
	270–320	S0	40	≤ 10	<b>T60L7040</b>
	270–320	S1	40	> 10–20	<b>T60L7140</b>
	350–600	L1	40	≤ 20	<b>T60L7340</b>
	350–600	L3	40	15–40	<b>T60L7540</b>
	450–750	L5	60	35–60	<b>T60L7570</b>

#### Composed of:

6a	1 x TIP-ON BLUMOTION unit left/right
6b	1 x TIP-ON BLUMOTION latch left/right
6c	2 x TIP-ON BLUMOTION synchronisation adapter
	Internal cabinet width LW ≥ 294 mm
1	Recommended weight ranges (total weight of the pull-out) for an optimum opening and closing function

6d	TIP-ON BLUMOTION synchronisation linkage		
	Version	Colour	Part no.
	Round	Grey	<b>T60.1125W</b>
For cutting to size			
<input checked="" type="checkbox"/> Cutting	Internal cabinet width LW – 267 mm		

**TIP-ON BLUMOTION for MOVENTO** ◀  
**Locking device feature – full extension** ◀◀



**Runner systems**

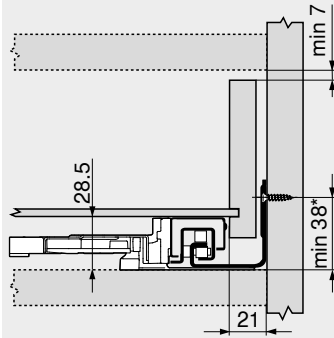


**MOVENTO with TIP-ON BLUMOTION – 760H | 766H**

Webcode  
 DQD0IM

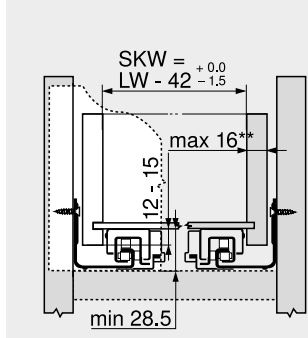
**Planning**

**Space requirement in cabinet**



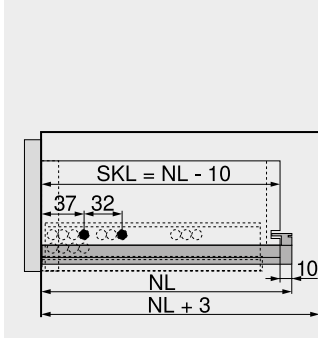
\* +1 mm for assembly of the cabinet profile on the horizontal cabinet side

**Drawer | inner drawer**



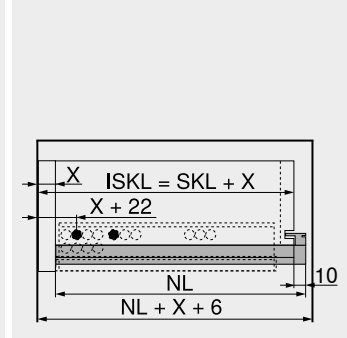
SKW Internal drawer width  
 LW Internal cabinet width  
 \*\* Limited side adjustment for a drawer side panel thickness of 16 mm, but with full tolerance utilisation of the internal width of the drawer SKW

**Drawer**



SKL Drawer length  
 NL Nominal length

**Inner drawer**

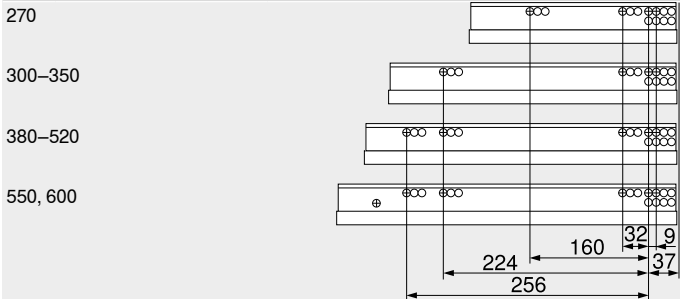


ISKL Inner drawer length  
 SKL Drawer length  
 NL Nominal length  
 X Front thickness

**Screw position – cabinet profiles**

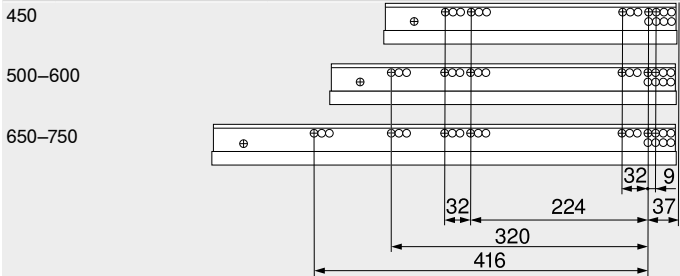
**Cabinet profile 760H – 40 kg**

**Nominal length NL (mm)**

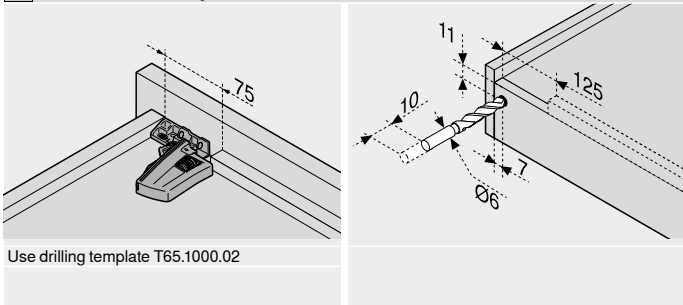


**Cabinet profile 766H – 60 kg**

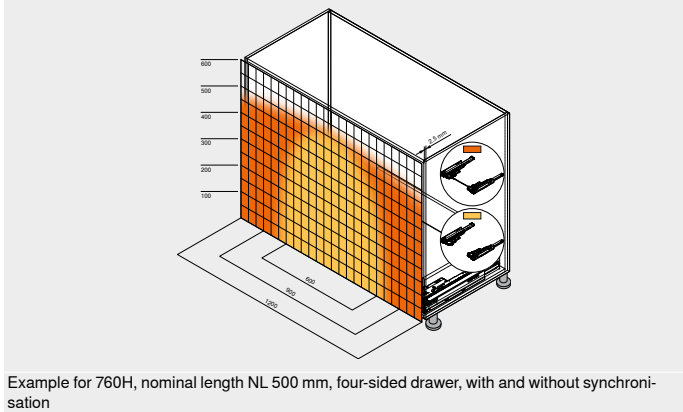
**Nominal length NL (mm)**



**Drawer assembly**



**Trigger range**



**Page instructions**

Overview – TIP-ON BLUMOTION for MOVENTO	453	More technical details
Overview – MOVENTO	437	
Overview – TIP-ON for MOVENTO	459	
CABLOXX	586	
Accessories	444	
Cabinet profile fixing positions	456	
Overview – assembly devices	595	

**686 Assembly, removal and adjustment**

Short-URL  
[www.blum.com/a460](http://www.blum.com/a460)

